

# Parts Catalog



**WORLDLAWN<sup>®</sup>**

**WYRZ42XS Residential  
Zero Turn Mower**



**WORLDLAWN AUSTRALIA**



# Table of Contents

---

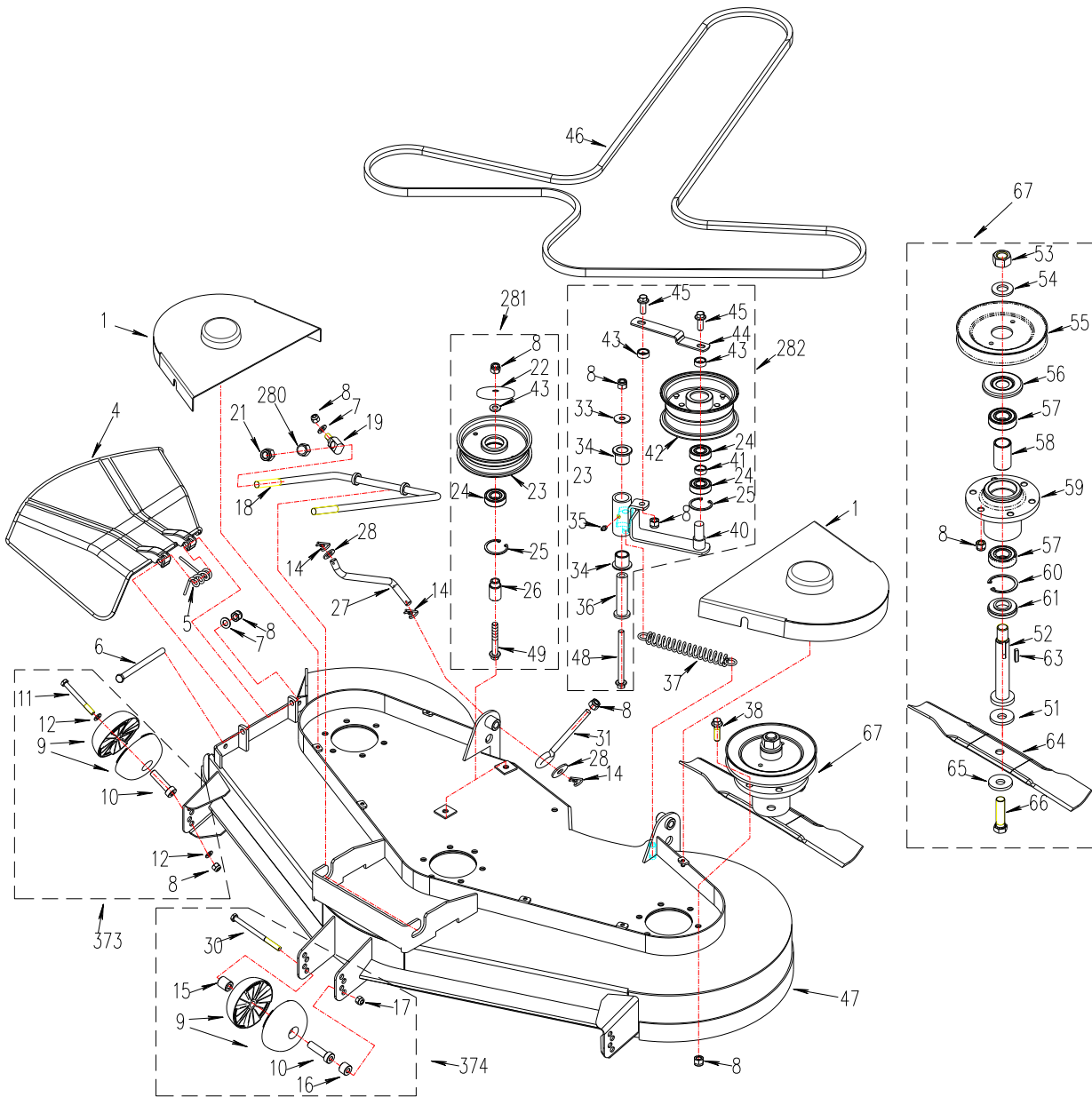
## Table of Contents

Mower Deck Assembly.....	1
Front Frame Assembly.....	3
Control Assembly.....	5
Engine System .....	7
Driving System.....	9
Mower Deck Height Adjustment .....	10
Fuel Tank Assembly .....	11
Safety/Operation and Product Decals.....	12
Electrical System .....	14



WORLDLAWN®

# Mower Deck Assembly



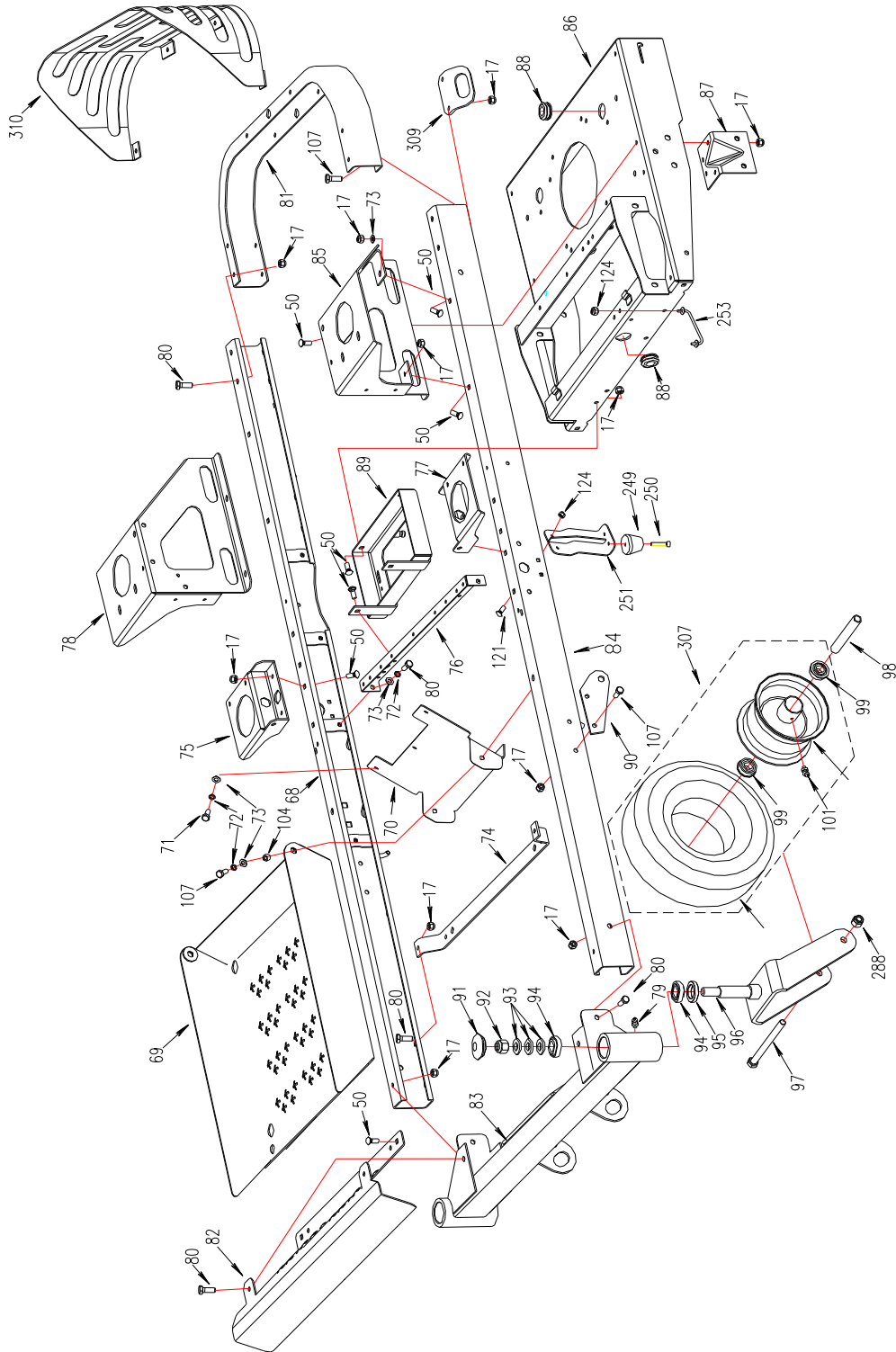


WORLDLAWN®

## Mower Deck Assembly

Ref.	Parts NO	Description	Ref.	Parts NO	Description
1	4211110	Belt Cover	39	4211110	Belt Cover, WLD
4	4211090	Discharge Chute	40	5001090	Deck Belt Tension Arm
5	5001007	Torsion Spring	41	5201077	Bearing Spacer
6	2802008	Bolt M8×160	42	5201064	Tension Pulley
7	B97.1-10	Flat Washer M10	43	5201078	Bearing Spacer M10
8	B6182-10	Locknut M10	44	5201062	Tension Pulley Brace
9	T001121	Floating Roller	45	B5787-1030	Hex Hd. Bolt M10×30
10	T001122	Bolt Sleeve	46	4211002	Blade Drive Belt
11	B5782-880	Bolt M8 X80	47	4211040	Mower deck Weldment
12	B97.1-8	Flat Washer M8	48	B5787-10110	Bolt M10X110
14	4806002	Pin	49	B5787-1070	Bot M10X70
15	5001331	Bushing 1	51	5001301	Blade Washer
16	5001332	Bushing 2	52	6011143	Spindle Shaft
17	B6182-8	Nut M8	53	B6173-20	Nut M20X1.5
18	5001304	Front Deck Support Rod	54	5201048	Washer (2)
19	5001303	Rod Pivot Bushing	55	4211105	Blade Pulley
21	B6182-12	Nut M12	56	5201044	Upper Dust Guard
22	5201291	Bearing Cover	57	B276-6205RS	Bearing 6205-2RS
23	5201012	Idler Pulley	58	5201049	Spindle Bearing Spacer
24	B276-6203RS	Bearing6203-2RS	59	5201050	Spindle Housing
25	B893.1-40	Snap Ring M40	60	B893.1-52	Snap Ring M52
26	5201011	Idler Spacer Bushing	61	5201043	Lower Dust Guard
27	5001005	Deck Stabilizer Rod	63	B1096-0622B	Key B6×25
28	5001006	Washer M12	64	4211001	Blade
30	B5782-8120	Bolt M8X120	65	5201042	Disk Spring Washer M16
31	5001008	Deck lift Rod	66	B5787-16060	Bolt M16X60
33	5001083	Washer M10	67	4211100	Spindle Assembly
34	3301003	Olite bronze bushing	280	B6172-12	Bolt M12
35	B1152-6	Grease Fitting M6	281	5201010	Tension Pulley Assembly
36	5001081	Pivot Tensioner Mount	282	5001080	Tension Pulley Assembly
37	5004107	Pump Tension Pulley	373	T001120	Anti Scalp Roller
38	GB5787-1035	Bolt M10X35	374	5001330	Anti Scalp Roller

# Front Frame Assembly



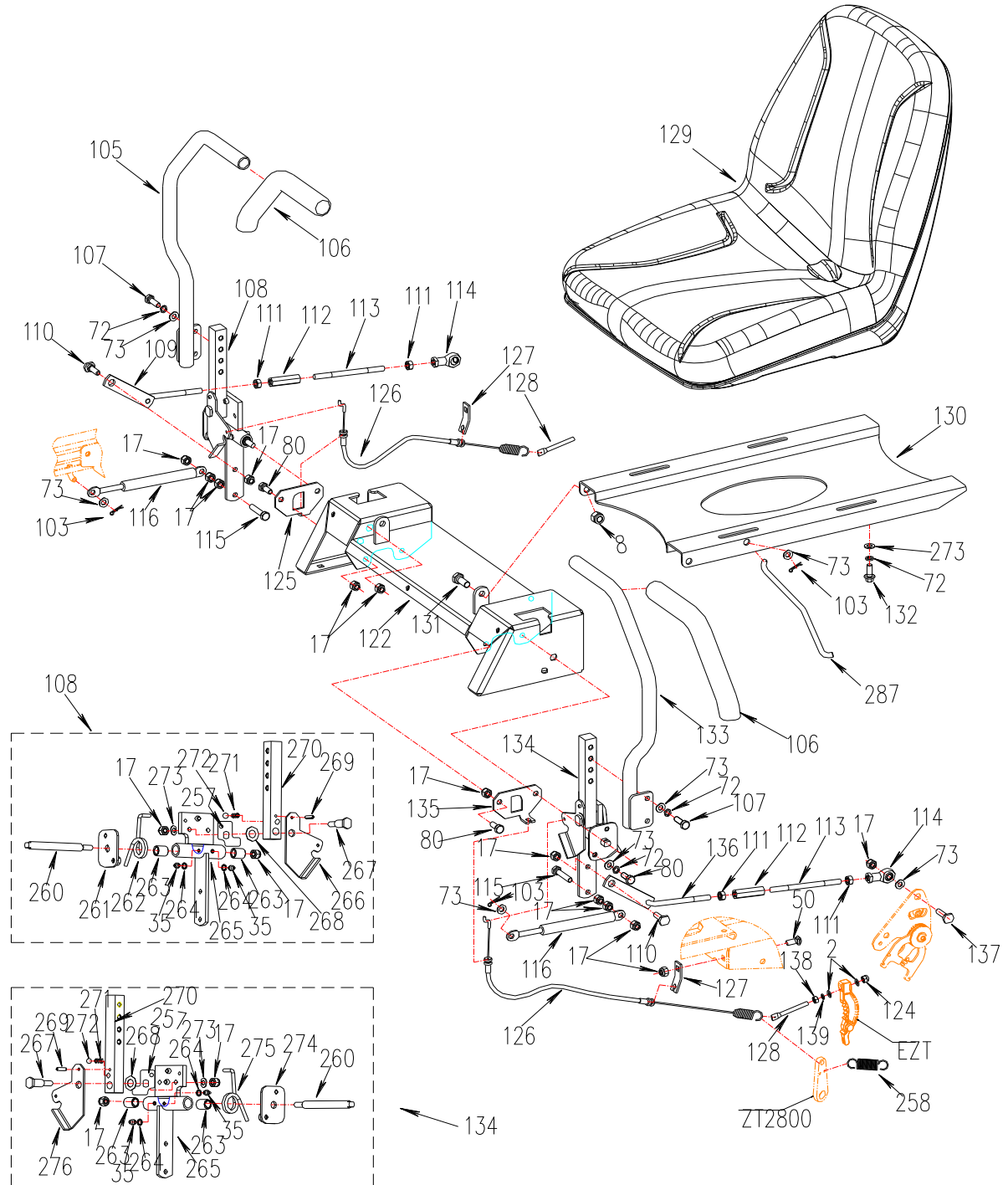


WORLDLAWN®

## Front Frame Assembly

Ref	P/N	Description	Ref	P/N	Description
17	B6182-8	Locknut M8	93	5002091	Spring washer M16
50	B801-820	Hex Hd Bolt M8×20	94	B297-32922	Bearing 329/22
68	5002335	Right Beam	95	B9877.1-28407	Grease Seal 28×40×7
69	5002355	Foot Plate	96	5002095	Caster Wheel Yoke
70	5002305	Panel	97	B5782-12180	Bolt M12×180
71	B5783-816	Hex Hd Bolt M8×16	98	5002092	Caster Wheel Bushing
72	B93-8	Split Lock Washer M8	99	5002103	Bearing
73	B97.1-8	Flat Washer M8	100		Wheel Rim 5×3
74	5002321	Front Supporting Plate	101	B1153-6	Grease Fitting M6, 45°
75	5002017	Front RH Tank Bracket	102		Tire 11×4
76	5002322	Middle Cross Beam	104	5002007	Bushing
77	5002016	Front LH Tank Bracket	107	B5783-825	Hex Hd Bolt M8×25
78	5002310	Rear RH Tank Bracket	121	B801-616	Hex Hd Bolt M6×16
79	B1152-8	Grease Fitting M8×1	124	B6182-6	Locknut M6
80	B5783-820	Bolt M8×20	249	5201003	Cushion
81	5002323	Rear Guard	250	B70-630	Screw M6×30
82	5002307	Rear Guard	251	5002365	Deck Stop
83	5002325	Front Bump	253	5002390	Wire rod welding
84	5002330	Left Beam	288	B6182-12	Locknut M12
85	5002309	Rear LH Tank Bracket	307	462110	Front Wheel(black)
86	5002380	Engine Base Weldment	309	5009026	Fixed Plate
87	5002085	Frame Brace	310	5002029A	Rear Engine Guard
88	4LZ2.16.4-04	Rubber Bushing M29			
89	5002336	Battery Tray			
90	5002408	StabilizerArm Mount			
91	5002020	Cap,Dust			
92	B6184-16	Nut M16			

# Control Assembly





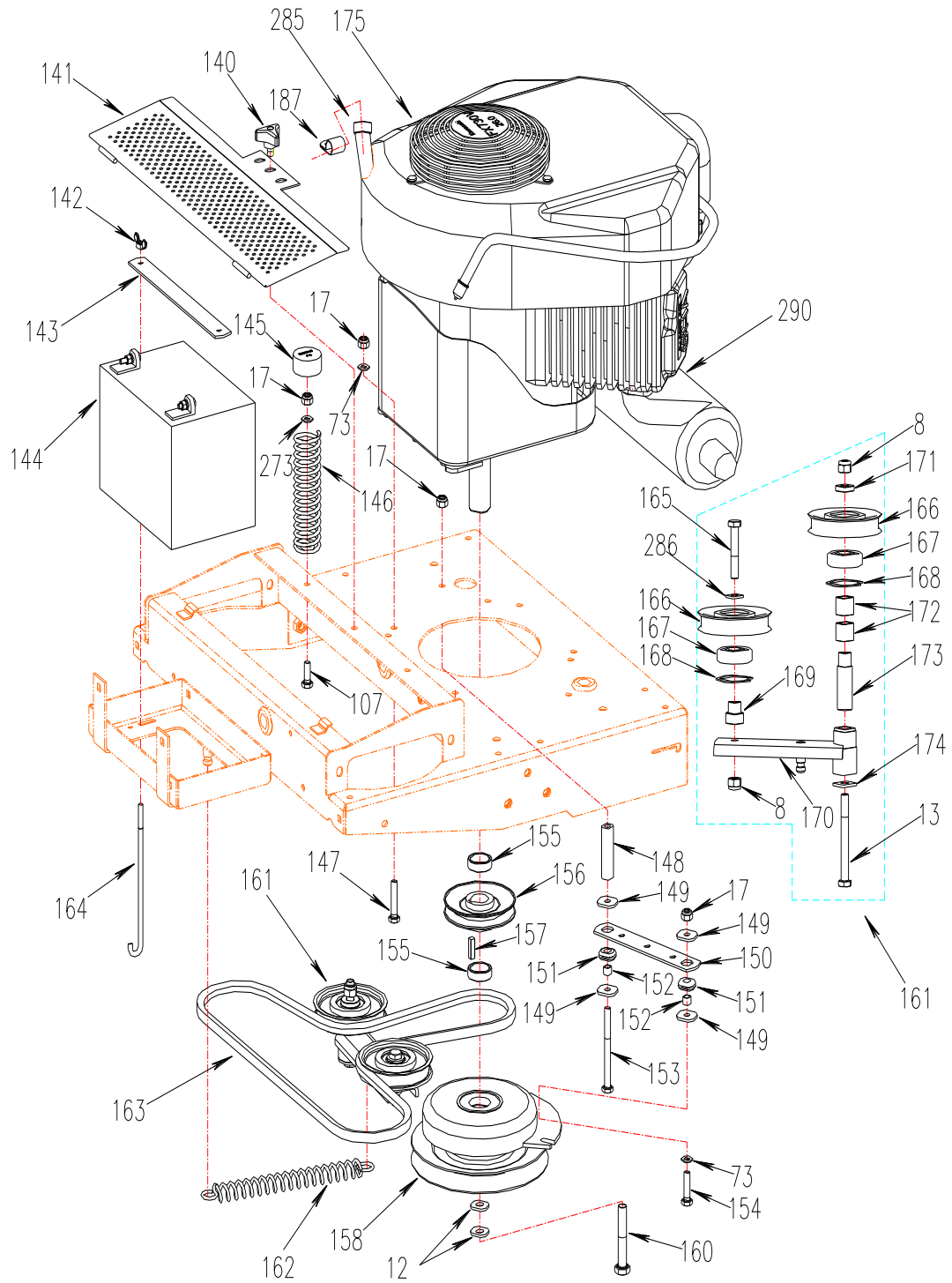
WORLDLAWN®

## Control Assembly

Ref	P/N	Description	42XS	Ref	P/N	Description	42XS
2	B97.1-6	Flat Washer M6	×	131	B5783-1025	Bolt M10×25	×
8	B6182-10	Locknut M10	×	132	3300106/100271	Bolt 5/16-18×3/4	×
17	B6182-8	Locknut M8	×	133	5002140A	Left Handle	×
35	B1152-6	Grease Fitting M6	×	134	5002341	LH Handle Mount ASM	×
50	B801-820	Hex Hd Bolt M8×20	×	135	5002032	Left Switch Bracket	×
72	B93-8	Split Lock Washer M8	×	136	5002131	Left Control Link	×
73	B97.1-8	Flat Washer M8	×	137	5002009	Axle Pin 2	×
80	B5783-820	Bolt M8×20	×	138	B6170-6	Nut M6	×
103	XSZ56-1-17	Hair Pin	×	139	B93-6	Lock Washer M6	×
105	5002145A	Right Handle	×	257	5002270	Pad	×
106	5002034	Handle Grip	×	258	5002260	Brake Tension Spring	×
107	B5783-825	Hex Hd Bolt M8×25	×	260	5002111	Pivot Shaft	×
108	5002343	RH Handle Mount ASM	×	261	5002347	Spring Bracket RH	×
109	5002138	RH Control link	×	262	5002118	Torsion Spring, RH	×
110	5002008	Shoulder Pin	×	263	B2685-121618	Oilite Bronze Bearing 12	×
111	B6170-8	Locknut M8	×	264	B861.1-6	Washer M6	×
112	5002134	Neutral Buckle M8	×	265	5002120	Pivot Block Weldment	×
113	5002135	Screw M8	×	266	5002344	Right Brake Panel	×
114	SIBJK 8T	Rod End Bearing	×	267	5002112	Operating Pin Roll	×
115	B5783-840	Hex Hd Bolt M8×40	×	268	2806061	Washer M12	×
116	5205012	Damper	×	269	B897-520	Pin 5×20	×
122	5002350	Control Panel Mount	×	270	5002113	Pole	×
124	B6182-6	Locknut M6	×	271	5002114	Spring	×
125	5002031	Right Switch Bracket	×	272	B308-4	Steel Ball SR4	×
126	5002210	Brake Cable	×	273	2800006	Flat Washer M8	×
127	5002005	Cable Mount Bracket	×	274	5002345	Spring Bracket LH	×
128	5002026	Brake Adjustment Link	×	275	5002117	Torsion Spring, LH	×
129	5000098	Seat	×	276	5002342	Left Brake Panel	×
130	5000081A	Seat Plate	×	287	5000002	Seat Pull Rod	×



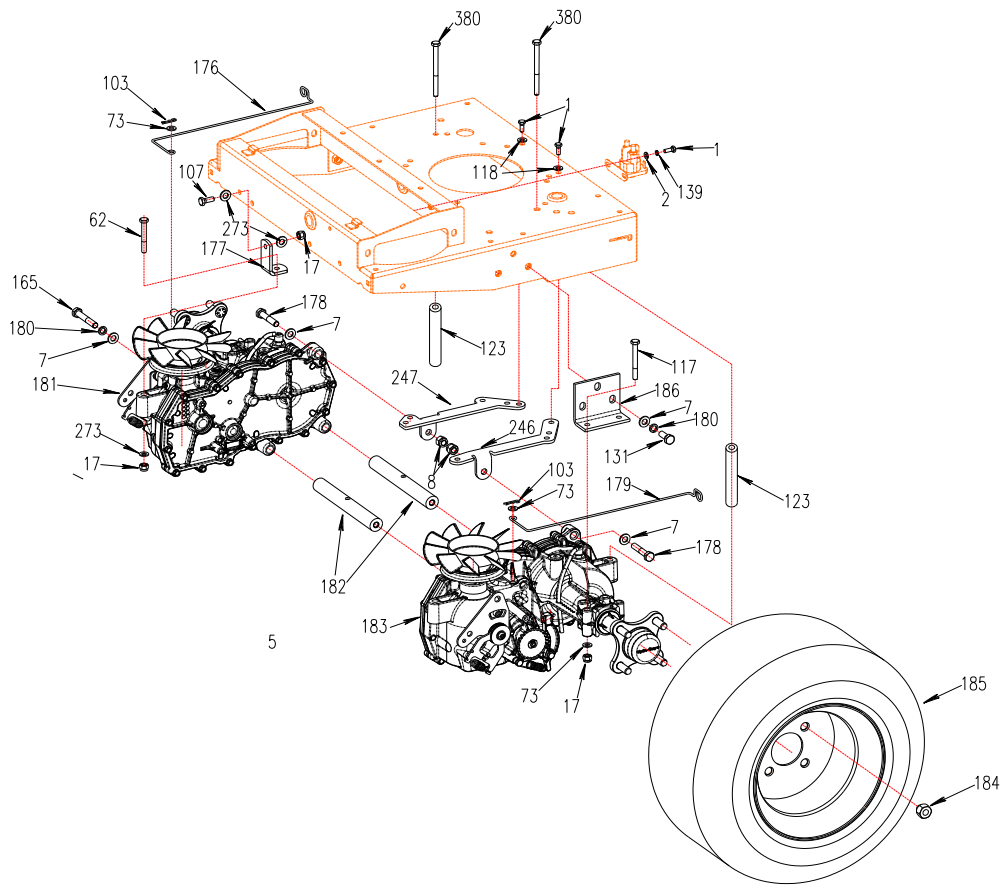
# Engine System





Ref	P/N	Description	42XS	Ref	P/N	Description	42XS
8	B6182-10	Locknut M10	×	161	5002160	Tension Pulley Assembly	×
12	5201061	Washer	×	162	4806004	Idler Spring	×
13	B5782-10100	Bolt M10×100	×	163	5002004	Pump Drive Belt	×
17	B6182-8	Locknut M8	×	164	5208203	hook rod	×
73	B97.1-8	Flat Washer M8	×	165	B5782-1060	Bolt M10×60	×
107	B5783-825	Hex Hd Bolt M8×25	×	166	5002175	Tension Idler	×
140	3302190	Three-Arm Knob	×	167	B276-6303RS	Bearing 6303-2RS	×
141	5002385	Fan Cover	×	168	B893.2-47	Snap Ring M47	×
142	B62-6	Nut M6	×	169	5002161	Spacer	×
143	3203004	Battery Strap	×	170	5002165	Idler Fixed seat	×
144		Battery	×	171	5002164	Padding block	×
145	5203045	Spring Cover	×	172	B2685-202420	Bearing 20×24×20	×
146	5002022	Spring	×	173	5002163	Pivot Bushing	×
147	B5783-835	Hex Hd Bolt M8×35	×	174	3307004	Washer M11	×
148	5002371	Clutch Stop Spacer	×	175		Kawasaki FR651V	×
149	5203408	Washer	×	187	3601020	Clamp	×
150	5203411	Clutch Stop Strap	×	273	2800006	Flat Washer M8	×
151	5203410	Rubber Washer M17	×	285	5203420	Oil Drain Hose	×
152	5203409	Bushing	×	286	3302058	Washer M10	×
153	B5782-890	Hex Hd Bolt M8×90	×	290	5002268	Muffler(Kawasaki FR)	×
154	B5783-835	Hex Hd Bolt M8×35	×				
155	3607002	Bushing	×				
156	5002152	Pump Drive Pulley	×				
157	5203405	Key 6.35×25	×				
158	463564	Clutch	×				
160	5203412	Bolt 7/16-20UNF×3	×				

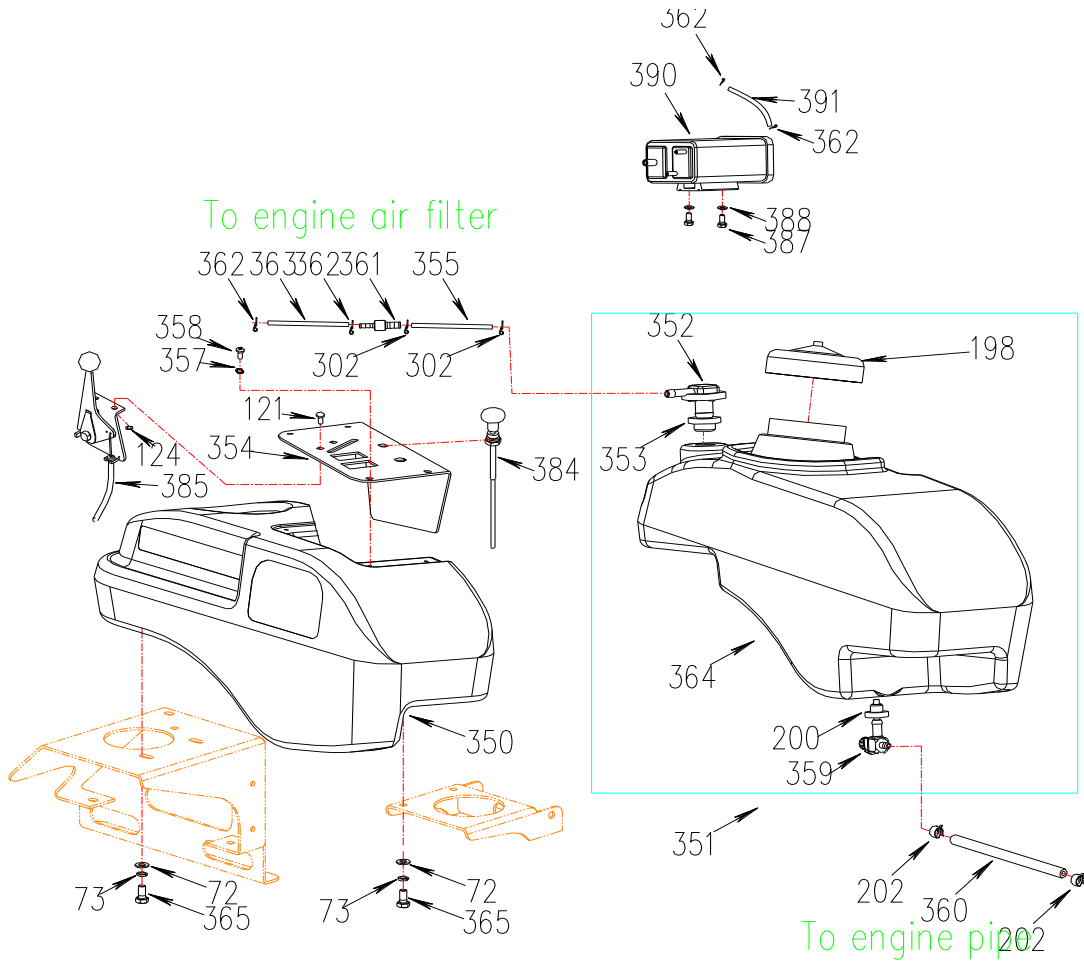
# Driving System



Ref.	Parts NO	Description	Ref.	Parts NO	Description
1	B5783-616	Hex hd bolt M6×16	177	5002012	Fixed Plate, Front
2	B97.1-6	Flat Washer M6	178	B5782-1050	Bolt M10×50
7	B97.1-10	Flat Washer M10	179	5002023	Left Pressure Relief Rod
17	B6182-8	Locknut M8	180	B93-10	Washer M10
62	B5782-860	Bolt M8×60	181	5002011	Right Drive Axle
73	B97.1-8	Flat Washer M8	182	5002087	Axle
103	XSZ56-1-17	Hair Pin	183	5002010	Left Drive Axle
107	B5783-825	Hex Hd Bolt M8×25	184	5000001	Nut 1/2-20UNF
117	B5782-870	Bolt M8×70	185	4200355	Rear wheel 18×8.5-8
118	2802183	Washer M6	186	5002013	Outer Axle Mounting Bracket
123	6012005	Spacer Bushing	246	5002014	Left Inner Axle Mounting Bracket
124	B6182-6	Locknut M6	247	5002015	Right Inner Axle Mounting Bracket
131	B5783-1025	Bolt M10×25	273	2800006	Flat Washer M8
139	B93-6	Lock Washer M6	380	B5782-8130	Bolt M8×130
165	B5782-1060	Bolt M10×60			
176	5002024	Right Pressure Relief Rod			

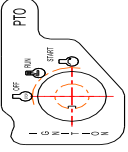

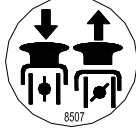
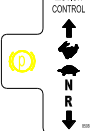
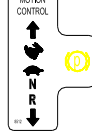

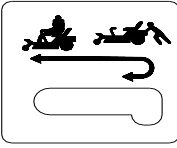
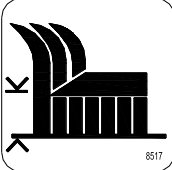
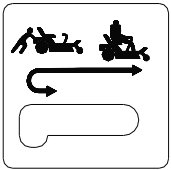

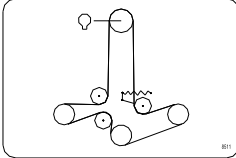
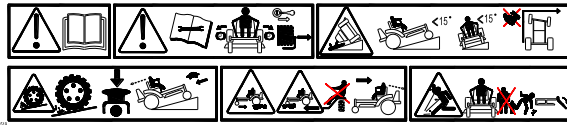





# Fuel Tank Assembly



Ref	P/N	Description
72	B93-8	Split Lock Washer
73	B97.1-8	Flat Washer M8
198	363413	Fuel Tank Cap
200	3307023B/533125	Fuel Tank Bushing
202	B8870-16	Hose Clamp 10-16
302	12105-1P68FS-0000	Flexible Clamp
350	823374	Fender
351	822153	Fuel Tank ASM
352	593370	vent valve
353	363412	seal ring
354	5000152A	Control Panel
355	5000140	Fuel Line (Φ8.5×2)
357	B861.1-5	Washer
358	5000129	Bolt 10-24UNC×1/2
359	393044	SHUT-OFF

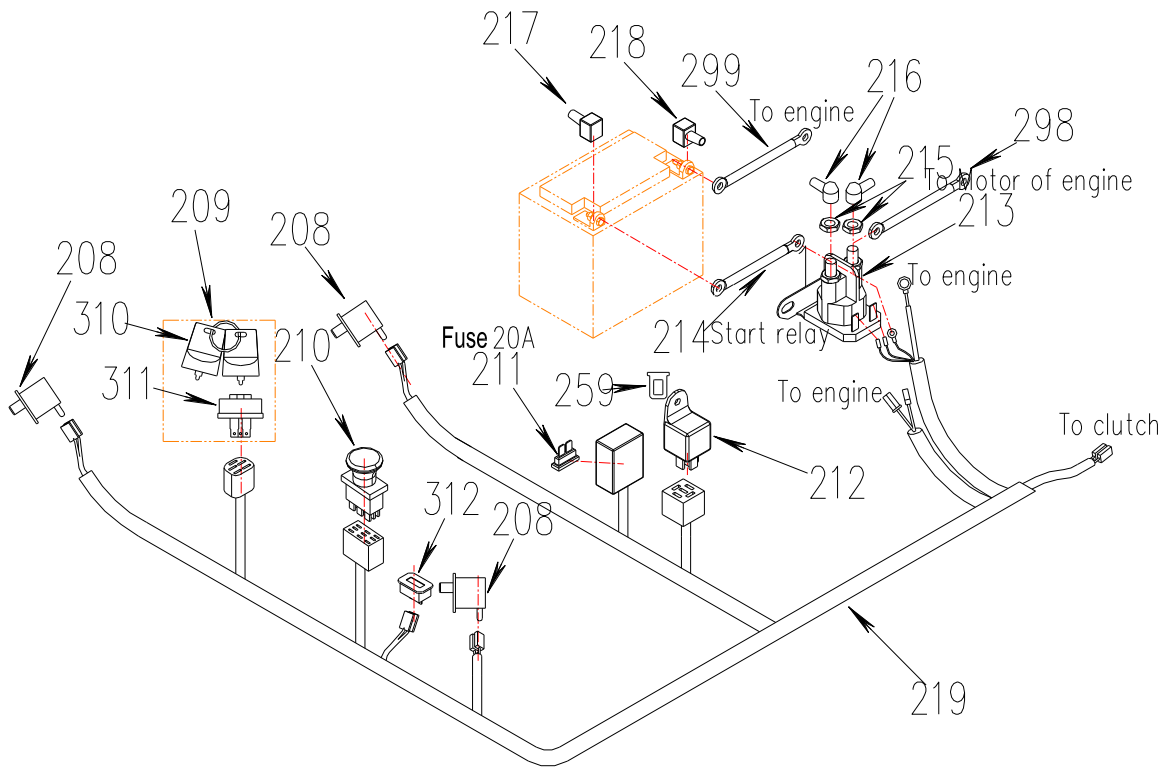
Ref	P/N	Description
360	5000144	Fuel Line
361	5000130	Adaptor
362	3307041	Clamp
363	5000143	Fuel Line
364	5000151A	Fuel Tank
365	4802012/100271	Bolt 5/16-UNC×3/4
384	4806020	Chock Cable
385	2806005	Throttle Control ASM
387	B5783-616	Bolt M6× 16
388	B97.1-6	Flat Washer M6
390	5002438	Carbon canister
391	5000145	Pipe
121	B801-616	Bolt M6× 16
124	B6182-6	Nut M6

 <p>220</p>	 <p>221</p>	<p>FUSE BLOCK 8509</p> <p>222</p>	 <p>8507</p> <p>223</p>	<p>MOTION CONTROL</p>  <p>223</p>	<p>MOTION CONTROL</p>  <p>223</p>				
 <p>245</p>		 <p>229</p>	 <p>8517</p> <p>228</p>	 <p>230</p>					
 <p>8515</p> <p>238</p>		 <p>851</p> <p>241</p>	<p>42</p> <p>8513</p> <p>232</p>						
		 <p>235</p>		<p><b>CAUTION</b></p> <p>DO NOT OPERATE WITHOUT GUARD IN PLACE</p> <p>8515</p> <p>225</p>					
 <p>224</p>	<p>WORLDLAWN POWER EQUIPMENT, INC.</p> <table border="1"> <tr> <td>MODEL</td> <td>SERIAL</td> </tr> <tr> <td></td> <td>PL</td> </tr> </table> <p>MADE IN CHINA</p> <p>231</p>	MODEL	SERIAL		PL	<p>EMISSION CONTROL INFORMATION</p> <p>JIANGSU WORLD PLANT-PROTECTING MACHINERY CO.,LTD</p> <p>THIS EQUIPMENT MEETS U.S. EPA EVAP STANDARDS</p> <p>EQUIPMENT FAMILY NAME:JNPP1WHE0002</p> <p>226</p>			
MODEL	SERIAL								
	PL								
<p><b>CAUTION</b></p> <ul style="list-style-type: none"> <li>Loose or Damaged Blade Bolt may allow blade to come out from under deck at HIGH SPEED.</li> <li>Replace Blade Bolt after striking a foreign object.</li> <li>Torque Blade Bolt to 115-120 FT-LBS(158-163N m).</li> </ul> <p>SEE OPERATOR'S MANUAL</p> <p>242</p>	<p><b>DANGER</b></p> <p>COVER IS MISSING. DO NOT OPERATE THIS UNIT WHEN COVER IS NOT IN PLACE.</p> <p>243</p>		<p><b>DANGER</b></p> <p>To avoid serious injury or death:</p> <ul style="list-style-type: none"> <li>Avoid blades unless engine and blades are stopped.</li> </ul>  <p>237</p>						
<p>WORLDLAWN</p> <p>244/246/247</p>		 <p>248</p>							

## Safety/Operation and Product Decals



Ref	P/N	Description	Ref	P/N	Description
220	8312A	Decal, Ignition	234	8307	Discharge Warning
221	8314	Decal	235	8519	Operational Warning
222	8509	Fuse Decal	236	8512	Motion Control RH
223	8507	Decal, Throttle	237	8325	Danger Blades
224	8550A	Viper Decal	238	8515	Rotating Parts
225	8303	Caution Guard	239	8501	International Logo
226	8602	EPA Decal	241	8511	Deck Belt Routing
228	8517	Cutting Height Locator	242	8308	Shield Warning
229	8603	Transaxle Release LH	243	8305	Danger Foot Plate
230	8604	Transaxle Release RH	244	633236	WORL DLAWN Decal-front beam
231		Serial Number Plate	245	8510	Cutting Height Outer
232	8381	Decal 42"	246	463444	WORL DLAWN Decal-seat
233	8508	Motion Control LH	247	463445	WORL DLAWN Decal-Fuel tank
			248	543383	WORL DLOGO-fuel tank



Ref	P/N	Description	Ref	P/N	Description
208	5008003	Plunger Switch	218	3312031	Battery Boot (Negative)
209	5208070	Ignition Switch ASM	219	5008021A	Wiring Harness
210	5208022	Blade Control Switch	259	5008012	Bracket of Relay
211	5208007	Fuse 20A	299	5008008	Negative Cable
212	5008011	12V Relay	298	5008006	Wire to Motor
213	463234	Start-up Relay	310	5208072	Ignition key
214	5008004	Positive Cable/Power Wire	311	5208071	Ignition Switch
215	5008005	Nut 5/16-24UNF	312	523283	Hour Meter
216	2808107	Relay Cable Cover			
217	3312032	Battery Boot (Positive)			



---